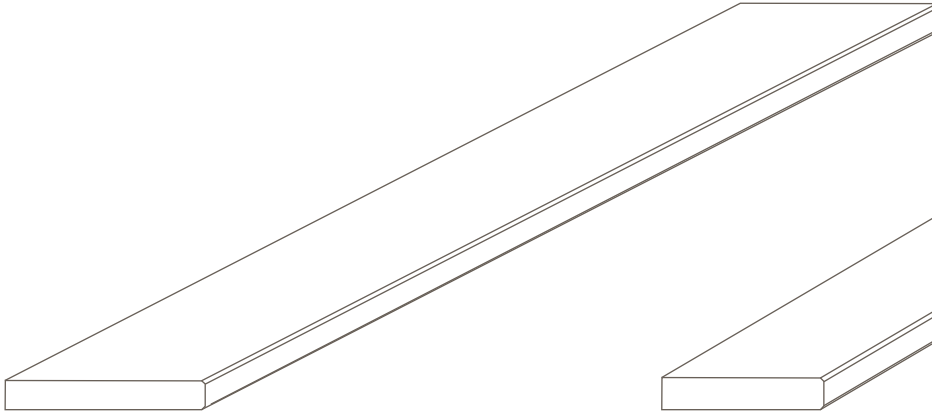
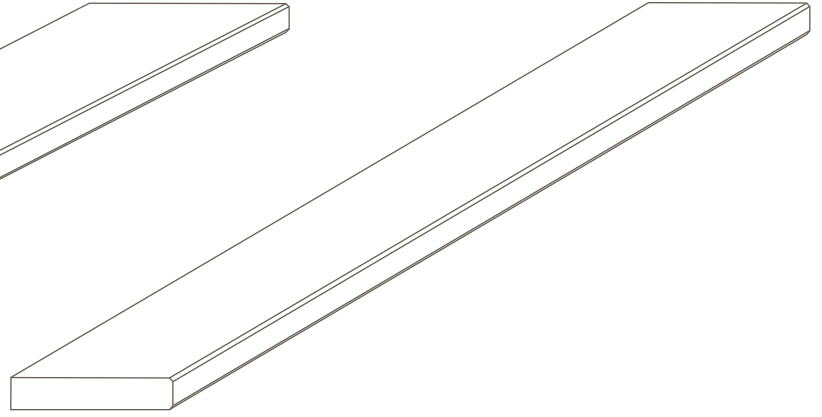


WINDOWSILLS & THRESHOLDS

WINDOWSILLS

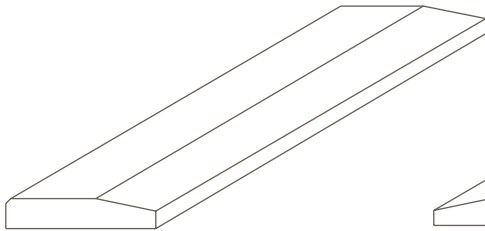


DOUBLE BEVEL*
6"W x 74"L x 5/8"H

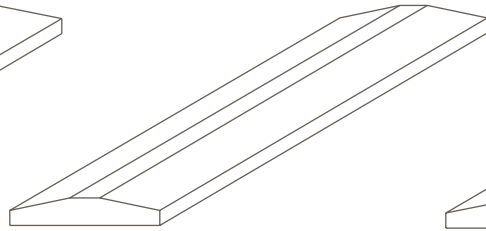


DOUBLE BEVEL*
5"W x 74"L x 5/8"H

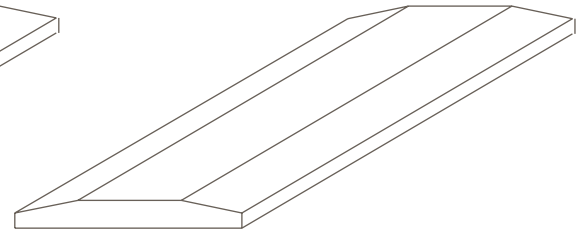
THRESHOLDS – HOLLYWOOD BEVEL (SINGLE & DOUBLE)



SINGLE HOLLYWOOD BEVEL*
4"W x 36"L x 3/4"H

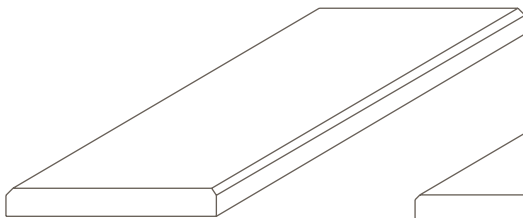


DOUBLE HOLLYWOOD BEVEL*
4"W x 36"L x 3/4"H

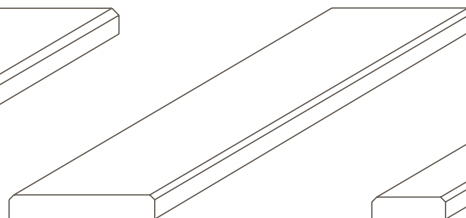


DOUBLE HOLLYWOOD BEVEL*
6"W x 36"L x 3/4"H

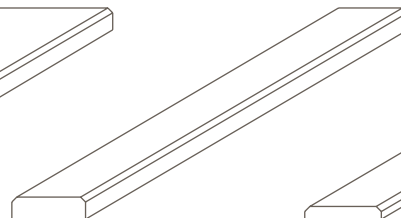
THRESHOLDS – DOUBLE BEVEL



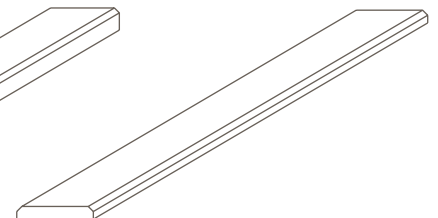
DOUBLE BEVEL*
6"W x 36"L x 3/4"H



DOUBLE BEVEL**
4"W x 36"L x 5/8"H



DOUBLE BEVEL***
2"W x 36"L x 5/8"H



DOUBLE BEVEL**
2"W x 36"L x 3/8"H

* AVAILABLE IN CARRARA WHITE MARBLE M701 ONLY.

** AVAILABLE IN ALL 4 COLORS.

*** AVAILABLE IN CARRARA WHITE MARBLE M701 AND CHIARO BEIGE MARBLE M710 ONLY.



THASSOS WHITE
MARBLE M420 –
POLISHED



CARRARA WHITE
MARBLE M701 –
POLISHED



AGGLO CHIARO
POLISHED



ABSOLUTE BLACK
GRANITE G771 –
POLISHED

WINDOWSILLS & THRESHOLDS

SIZES – WINDOWSILLS†

		Thickness	Sq. Ft./ Carton	Pieces/ Carton
6" x 74"	6" x 74" x 5/8" (15.24 cm x 187.96 cm x 1.60 cm)	5/8"	77.00	25
5" x 74"	5" x 74" x 5/8" (12.7 cm x 187.96 cm x 1.60 cm)	5/8"	64.25	25

SIZES – THRESHOLDS†

		Thickness	Sq. Ft./ Carton	Pieces/ Carton
6" x 36"	6" x 36" x 3/4" (10.16 cm x 91.44 cm x 2.00 cm)	3/4"	37.50	25
4" x 36"	4" x 36" x 3/4" (10.16 cm x 91.44 cm x 2.00 cm)	3/4"	25	25
4" x 36"	4" x 36" x 5/8" (10.16 cm x 91.44 cm x 1.60 cm)	5/8"	25	25
2" x 36"	2" x 36" x 5/8" (5.08 cm x 91.44 cm x 1.60 cm)	5/8"	12.50	25
2" x 36"	2" x 36" x 3/8" (5.08 cm x 91.44 cm x 1.00 cm)	5/8"	12.50	25

† Refer to the front of this sales sheet for color availability.

INSTALLATION

Grout Joint Recommendation

As needed depending on type of installation.

CONDITIONS OF PURCHASE

Natural stone products inherently lack uniformity and are subject to variation in aesthetics (color, shade, finish, etc.) and performance (hardness, strength, slip resistance, etc.). Natural stone products do not meet minimum coefficient of friction thresholds recommended by safety standard setting organizations. No warranties, express or implied, relative to merchantability or fitness for a particular purpose are made regarding the natural stone products distributed by **Tile Optima**. Check local building codes prior to specification or installation to verify that product technical characteristics comply with required parameters.

For additional information refer to "Factors to Consider" at:

Water, oil, grease etc. create slippery conditions. Floor applications with exposure to these conditions require extra caution in product selection.

Not for use on ramps.

Note: Polished surfaces are not recommended for floor areas where slip resistance is a concern.

PERFORMANCE CHARACTERISTICS

	ASTM#	Absolute Black G771	Carrara White M701	Chiaro Beige M710 (metric)	Thassos White M420 (metric)
Absorption by Weight %	C97	0.33%	0.10%	0.09%	0.15%
Density, lbs/ft ³ , (kg/m ³)	C97	160.00	169.41	2.44g/cm ³	2,847
Compressive Strength PSI	C170	19,000	10,930	N/A	118.00
Abrasion Resistance	C241	25.00	14.24	41.00	3.29
Flexural Strength PSI	C880	1,200	2,799	30.20	16.00

TECHNICAL INFORMATION

	Shade Variation	Soundness	Special Notes
Absolute Black G771	Low	A	●
Carrara White M701	Medium	A	◆ ▼ ● *
Chiaro Beige M710	Low	A	◆ ▼ ●
Thassos White M420	Low	A	◆ ▼ ● *

Shade Variations and Aesthetic Classification

Low: Background color is relatively uniform.

Medium: Background color contains slight variation.

High: Background color contains distinct variation.

Random: Variegated in color and veining. Blending allowances during installation are strongly recommended.

Soundness:

Group A: Sound Stones with no geological voids or fissures. These stones do not require any filling or patching.

Group B: Similar to Group A, but geological imperfections could be evident. These stones may contain holes or voids, which are filled with epoxy or resin.

Group C: These stones may contain holes, voids, lines of separation and structural flaws. It is standard practice to repair these stones by filling them or reinforcing them.

Group D: Similar to Group C but these stones contain larger natural faults and require more refinishing over time.

Special Notes:

■ Not recommended for wet areas.

◆ Can be used in interior wet areas, if sealed and maintained properly. If not properly maintained, the stone look could be altered. Please contact your sealer manufacturer or your Daltile sales representative for information about products that can protect the stone from moisture exposure

▼ Might contain dry seams, pits, fossils and glass veins that are filled at the factory or during installation. These are all inherent characteristics of the stone. Since these voids can sometimes lose their fillings, they should be refilled as part of normal maintenance.

● A sealer is recommended. (Note: Some limestone and tumbled stone should be sealed prior to grouting.)

* White thin-set or mortar is recommended.